

MODEL 5060

Thermoelectric Generator

The Model 5060 Thermoelectric Generator contains no moving parts. It is a reliable, low-maintenance source of DC electrical power for applications where grid power is unavailable or unreliable.

KEY DESIGN FEATURES:

- ✓ Automatic Spark Ignition (SI)
- ✓ Automatic Fuel Shut-Off (SO)
- ✓ Fuel Filter
- ✓ Low Voltage Alarm Contacts (VSR)
- ✓ Volt & Amp Meter (6.7V excluded)
- ✓ Reverse Current Protection

OPTIONAL FEATURES:

- ✓ Cathodic Protection Interface
- ✓ Pole Mount or Bench Stand
- ✓ Corrosive Environmental Fuel System
- ✓ Flame Arrestor



Power Specifications	Power Rating at 20°C:
	60 Watts @ 6.7 Volts
	54 Watts @ 12 Volts
	54 Watts @ 24 Volts
	54 Watts @ 48 Volts

Electrical	Output Adjustment Range:
	6.7 V up to 11 Volts
	12 V 12-18 Volts
	24 V 24-30 Volts
	48 V 48-60 Volts

Output: Terminal block which accepts up to 8 AWG wire.
Opening for 3/4" conduit in base of cabinet.

Fuel Requirements	Natural Gas:
	4.4m ³ /day (155 Sft ³ /day)
	1000 BTU/Sft ³ (37.7 MJ/Sm ³) gas
	max 115 mg/Sm ³ (~170 ppmw) H ₂ S
	max 120 mg/Sm ³ H ₂ O
	max 1% free O ₂
	Propane:
	5.7 l/day (1.5 US gal/day)

Max. Supply Pressure: 172 kPa (25 psi)
Min. Supply Pressure NG: 69 kPa (10 psi)
Min. Supply Pressure LPG: 103 kPa (15 psi)
Fuel Connection: 1/4" MNPT

Environmental	Ambient Operating Temperature:
	Max. +45°C (115°F)
	Min. -40°C (-40°F)
	Operating Conditions:
	Unsheltered operation

Please contact GPT for operating conditions below -40°C or above +45°C.

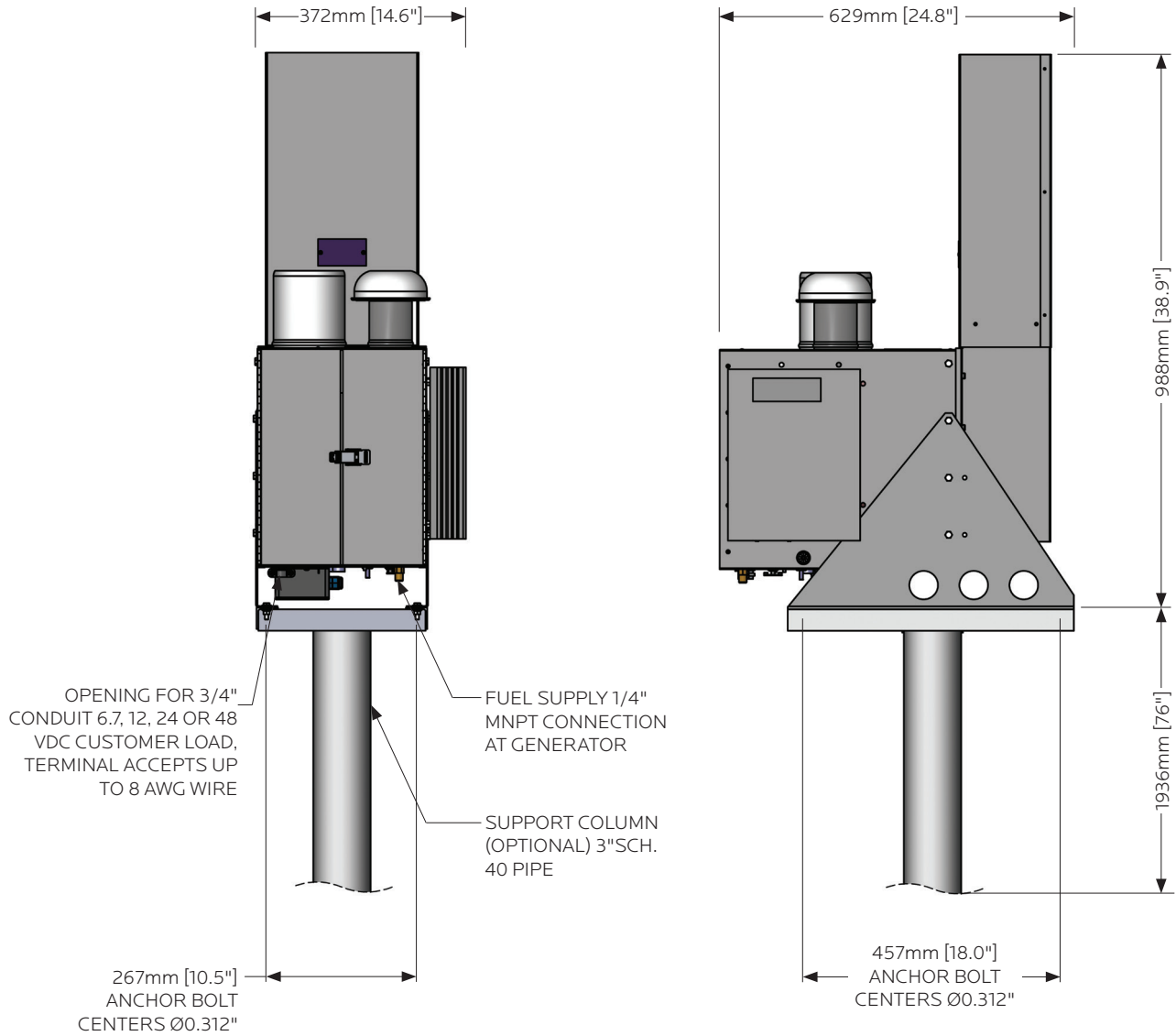
Construction	Materials:
	Cabinet: 304 Stainless Steel (SS)
	Cooling Type: Natural Convection
	Fuel System: Brass, Aluminum & SS

Note:

Specifications shown are for standard 5060 configurations. Gentherm Global Power Technologies (GPT) also offers customized products and systems to accommodate custom voltages, fuel supply systems and operating temperatures.

Specification data stated in this document is subject to change without notice. To verify these specifications are current, please contact your GPT sales representative.

P 403 236 5556
E gptsales@gentherm.com
W www.genthermglobalpower.com



NOTES:

Generator Weight: 41 kg [90 lb]

Model: 5060

Gentherm Global Power Technologies

p 403 236 5556

e gptsales@gentherm.com

w genthermglobalpower.com

16, 7875 – 57 Street SE

Calgary, Alberta, Canada T2C 5K7