

# MODEL 5030

## Thermoelectric Generator

The Model 5030 Thermoelectric Generator contains no moving parts. It is a reliable, low-maintenance source of DC electrical power for any application where regular utilities are unavailable or unreliable.

### KEY DESIGN FEATURES:

- ✓ Automatic Spark Ignition (SI)
- ✓ Automatic Fuel Shut-Off (SO)
- ✓ Fuel Filter
- ✓ Low Voltage Alarm Contacts (VSR)
- ✓ Reverse Current Protection

### OPTIONAL FEATURES:

- ✓ Pole Mount or Bench Stand
- ✓ Corrosive Environmental Fuel System



Power Specifications	Power Rating at 20°C:
----------------------	-----------------------

21 Watts @ 12 Volts  
21 Watts @ 24 Volts

Electrical	Output Adjustment Range:
------------	--------------------------

12 V    12-18 Volts  
24 V    24-30 Volts

Output: Terminal block which accepts up to 10 AWG wire.  
Opening for 3/4" conduit in base of cabinet.

Fuel Requirements	Natural Gas:
-------------------	--------------

2.1 m<sup>3</sup>/day (74 Sft<sup>3</sup>/day)  
1000 BTU/Sft<sup>3</sup> (37.7 MJ/Sm<sup>3</sup>) gas  
max 115 mg/Sm<sup>3</sup> (~170 ppmw) H<sub>2</sub>S  
max 120 mg/Sm<sup>3</sup> H<sub>2</sub>O  
max 1% free O<sub>2</sub>

Propane:
----------

3.0 l/day (0.8 US gal/day)

Max. Supply Pressure: 172 kPa (25 psi)  
Min. Supply Pressure NG: 69 kPa (10 psi)  
Min. Supply Pressure NG: 103 kPa (15 psi)  
Fuel Connection: 1/4" MNPT

Environmental	Ambient Operating Temperature:
---------------	--------------------------------

Max. +45°C (115°F)  
Min. -40°C (-40°F)

Operating Conditions:
-----------------------

Unsheltered operation

Please contact GPT for operating conditions below -40°C or above +45°C.

Construction	Materials:
--------------	------------

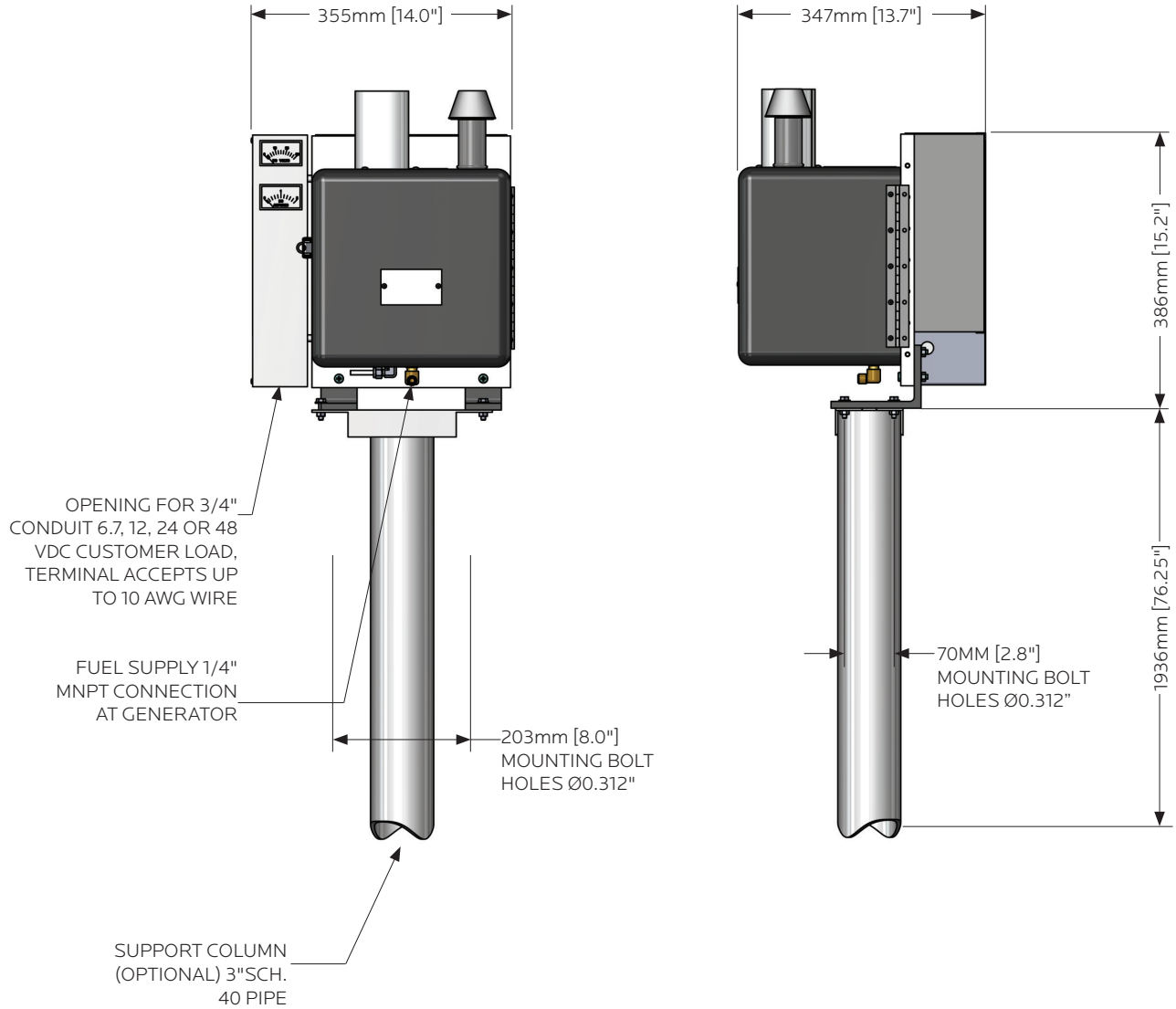
Cabinet: Aluminum  
Cooling Type: Natural Convection  
Fuel System: Brass, Aluminum & Stainless Steel

#### Note:

Specifications shown are for standard 5030 configurations. Gentherm Global Power Technologies (GPT) also offers customized products and systems to accommodate custom voltages, fuel supply systems and operating temperatures.

Specification data stated in this document is subject to change without notice. To verify these specifications are current, please contact your GPT sales representative.

**P** 403 236 5556  
**E** gptsales@gentherm.com  
**W** www.genthermglobalpower.com



**NOTES:**

Generator Weight: 18 kg [40 lb]

Model: 5030

**Gentherm Global Power Technologies**

**p** 403 236 5556

**e** gptsales@gentherm.com

**w** genthermglobalpower.com

16, 7875 – 57 Street SE

Calgary, Alberta, Canada T2C 5K7